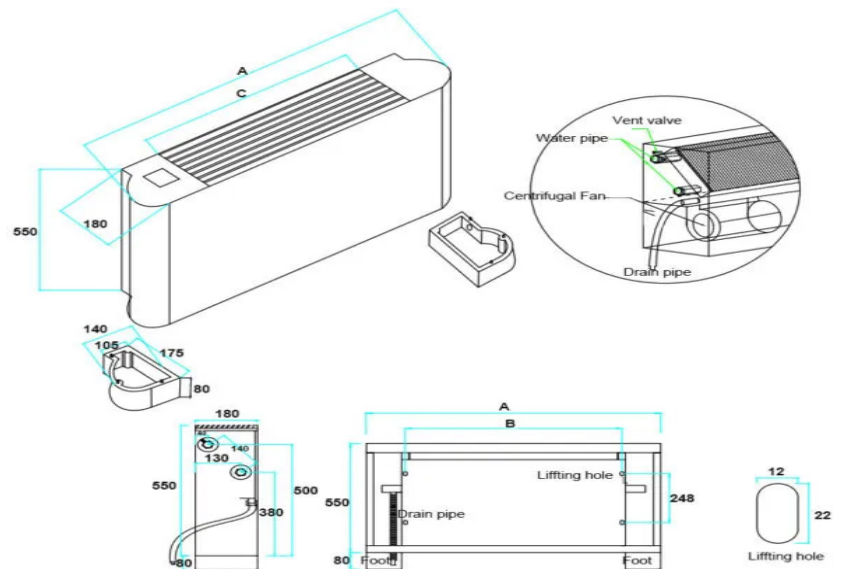


TERRA FLOOR STANDING FAN COIL



1 YEAR WARRANTY, SPARE PARTS AVAILABILITY
AND SERVICE GUARANTEED

ULTRA THIN EXPOSED FAN COIL UNIT
180MM THICK
AIR FLOW 340M³/H-1360M³/H
POWER 31W-110W
LOW NOISE 37DBA-47DBA
COOLING CAPACITY 1.9KW-7.2KW



TERRA FLOOR STANDING FAN COIL

| Dim | TP-34 | TP-51 | TP-68 | TP-85 | TP-102 | TP-136 | TP-170 | TP-204 |
|--------|-------|-------|-------|-------|--------|--------|--------|--------|
| A | 752 | 902 | 1002 | 1052 | 1252 | 1402 | 1652 | 1852 |
| B | 400 | 550 | 650 | 700 | 900 | 1050 | 1300 | 1500 |
| C | 508 | 658 | 758 | 808 | 1008 | 1158 | 1408 | 1608 |
| Height | 550 | 550 | 550 | 550 | 550 | 550 | 550 | 550 |

| Model | FP-34 | FP-51 | FP-68 | FP-85 | FP-102 | FP-136 |
|-------------------------------|-------|-------|-------|-------|--------|--------|
| Cooling capacity(kw)(CHW 7°C) | 1.9 | 2.7 | 3.6 | 4.5 | 5.4 | 7.2 |
| Heating capacity(kw)(HW 60°C) | 2.7 | 4.05 | 5.4 | 6.75 | 8.1 | 10.8 |
| Air flow(m ³ /h) | 340 | 510 | 680 | 850 | 1020 | 1360 |
| Power input(w) | 31 | 47 | 55 | 70 | 83 | 110 |
| Noise dba | 37 | 39 | 41 | 43 | 45 | 47 |
| Motor NO. | 1 | | | | | |
| Fan NO. | 1 | | 2 | | | 3 |
| Weight(kg) | 14.7 | 15.1 | 17.2 | 17.9 | 20.6 | 22.5 |
| Packing length(mm) | 770 | 920 | 1020 | 1070 | 1270 | 1420 |
| Packing height(mm) | 590 | | | | | |
| Packing width(mm) | 240 | | | | | |
| Condenser length(mm) | 400 | 550 | 650 | 700 | 900 | 1050 |
| Condenser height(mm) | 210 | | | | | |
| Condenser thickness(mm) | 45 | | | | | |